

Installation Instructions

Silent Sentry Free-Standing Hardwire Series

MH & MHCS

Questions? Call 800-765-3237 or visit www.mediproducts.net

BEFORE YOU BEGIN:

Read these instructions carefully before attempting to install this product.

- **IMPORTANT** — Save these Instructions for local inspectors use.
- **IMPORTANT** — Observe all governing codes and ordinances.
- **Note to Installer** – Be sure to leave these instructions with the end user.
- **Skill Level** – Installation of this appliance requires a licensed Electrical Contractor
- **Completion time** 2-5 hours.
- Proper installation is the responsibility of the installer.
- Product failure due to improper installation is not covered under the warranty.
- This product should not be altered in anyway without manufacturer's consent.

FOR YOUR SAFETY:

- Be sure all hardwire electrical connections are done by a certified electrical contractor.
- Be sure the power system is securely fastened to a solid structure.
- Take special care when working with battery cables, connectors & terminals to make sure they are never short circuited.
- Always wear protective eye, hand and footwear while assembling this system and installing it's batteries.

Preparing for Installation

Additional Resources:

Spec Sheets, User Manuals & Installation Guides:
www.mediproducts.net/resources/technical-data

Live Tech Support:
Phone Number: 1-800-765-3237
Hours: (M-F 8:30a - 5:00p EST)



SCAN ME

Important Notes:

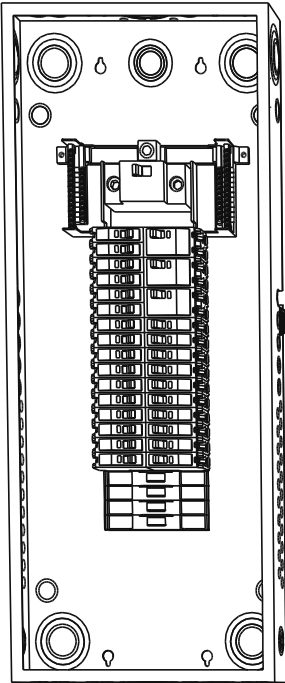
- The Medi-Products® Silent Sentry® Free-Standing Hardwired Series arrives fully-assembled with the batteries pre-installed.

So, Installation is as easy as having a certified electrical contractor wire the system to your facility's direct circuit or to a sub-panel.

- Please read instructions carefully as the size of the dedicated input circuit will vary based upon both the system wattage and input voltage respectively.

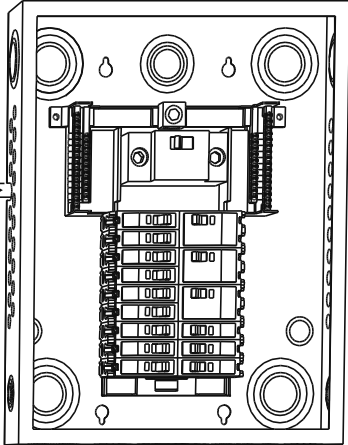
- For the safety of the installer, staff and facility, we urge you to lock the casters of the Free-Standing Hardwired system before beginning installation.

AC Input & Output Wiring Configuration



INPUT

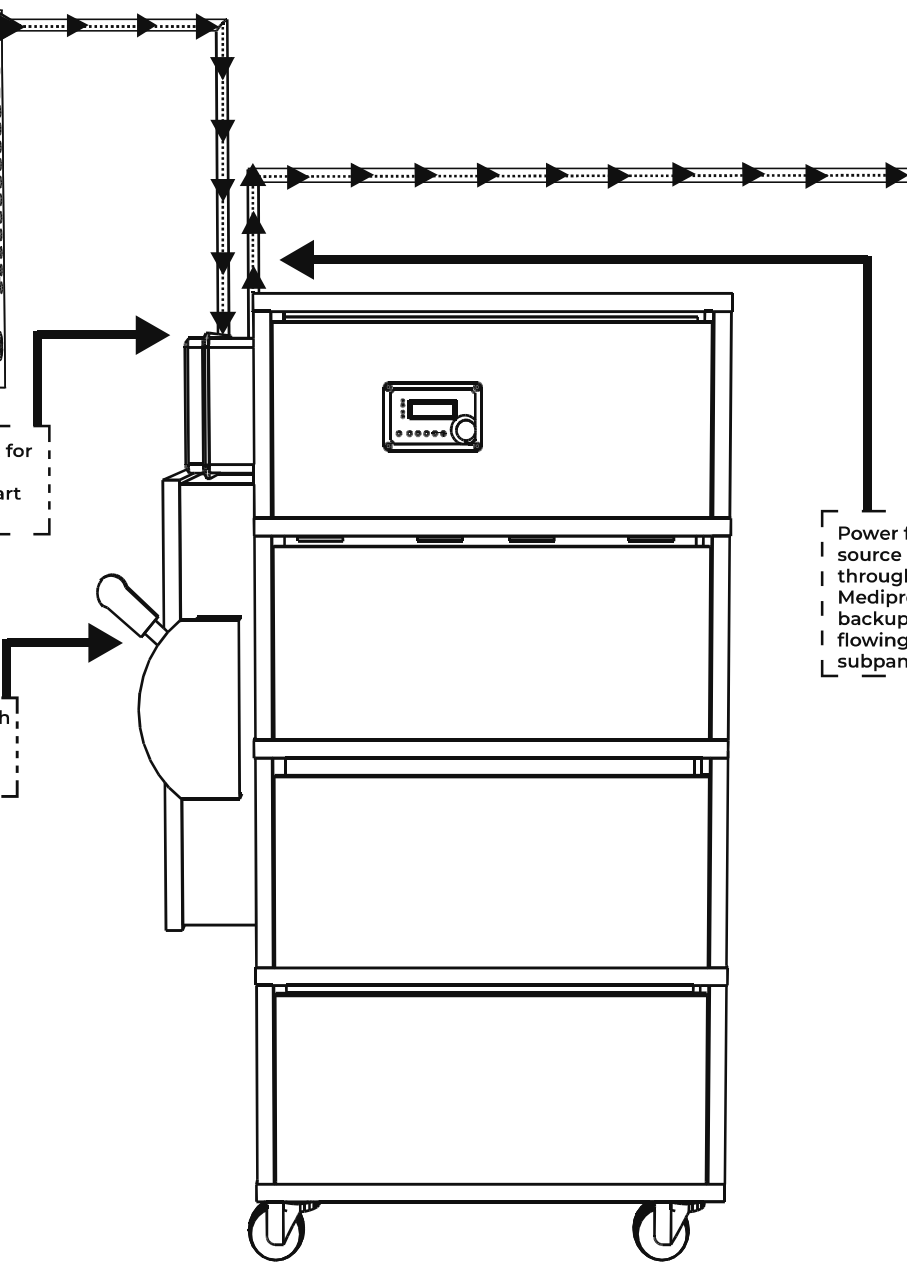
- Main Building Source
- Line Power



OUTPUT

- Load Center
- Sub-Panel*

**(Provided By Others)*



Pre-wired conduit for some models. Please refer to chart for further details.

Bypass disconnect switch for some models. Please refer to chart for further details

Power flows from input source and passes through the Mediproducts battery backup unit before flowing to load or to subpanel.

AC Input and Output Wiring

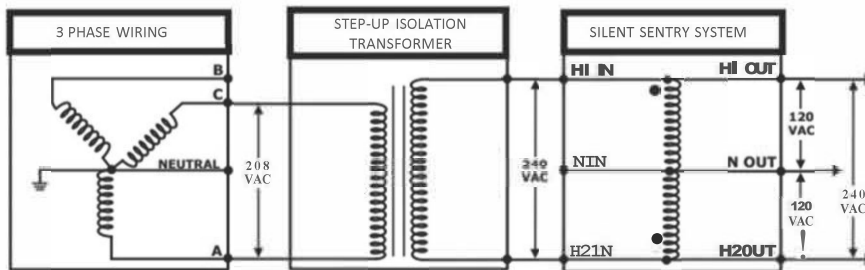
Transformer Wiring Configuration (4000 and 4400 Watt Systems Only):

If the origin of the input power is 208 volts 3 phase, the system can only be powered by one of the following methods: one hot (120 volts) or using an isolation transformer inline when 2 hots (240 volts). **This will avoid having a phase mismatch which will cause damage to the unit's inverter.** Medi-Products does not supply this transformer, we recommend contacting your local electrical supply house and reference the Hamond model number below.

Use the following diagrams to power the unit for applications where 3 phase power is the origin of the input power:

NOTE: DO NOT POWER UNIT WITH 208 VOLTS

240 VOLT INPUT FOR 3 PHASE APPLICATIONS:

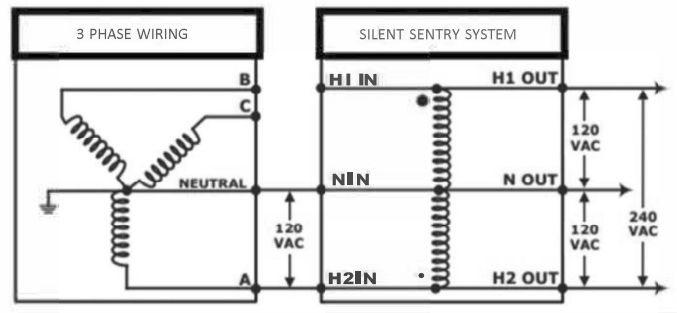


RECOMMENDED TRANSFORMER :

5KVA Hammond model CIF00SGES

10KVA Hammond model CIF010GES

120 VOLT INPUT APPLICATIONS:



Single Breaker From Main Panel

AC Input & Output Wiring Configuration

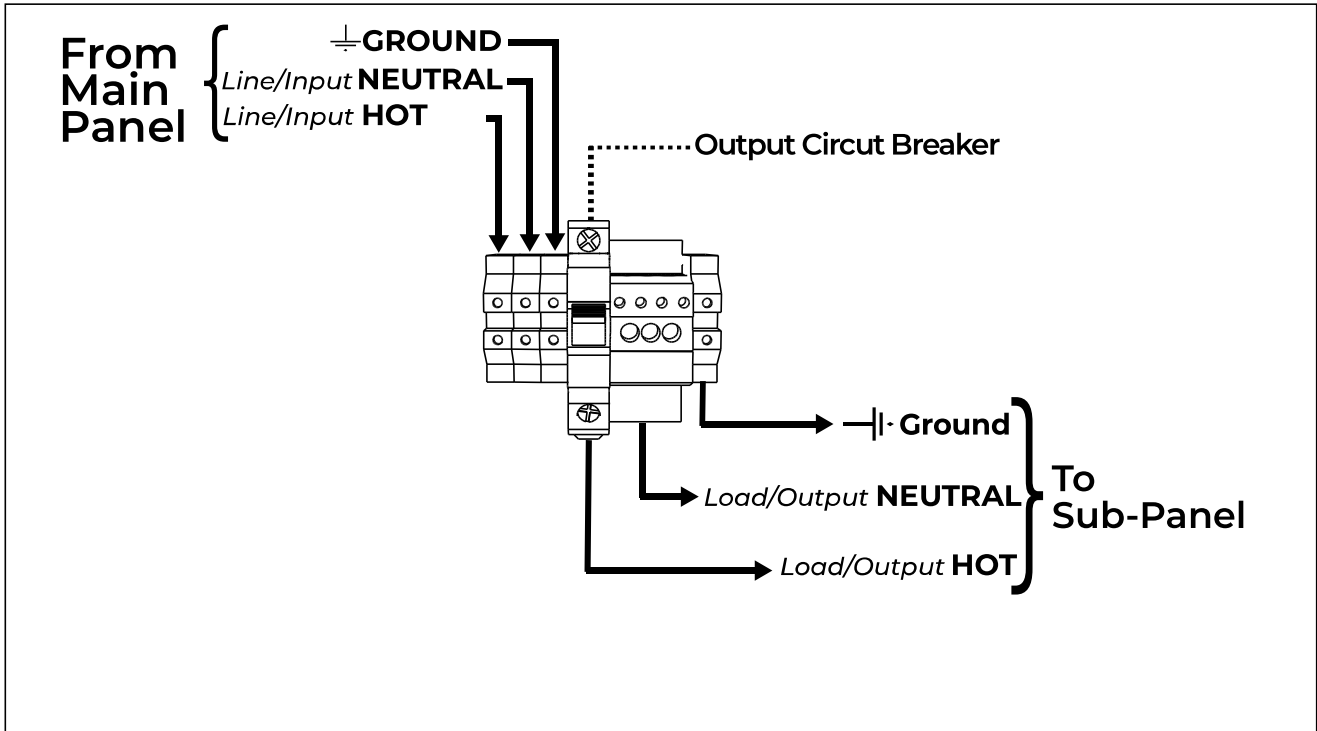
Single Phase Models:

System Size (watts)	Line and Load Power	Circuit Breaker	Transformer Required?	Conduit Size	Bypass Switch	Wiring Configuration
4000	30 Amp/120 volt or 30 Amp/240 volt	30Amp Double	Yes	1/2" Flex	N/A	Single or Split
4400	30 Amp/120 volt or 30 Amp/240 volt	30Amp Double	Yes	1/2" Flex	N/A	Single or Split
5000	30Amp/120 volt	30Amp Single	No	1/2" Flex	N/A	Single
6000	30Amp/240 volt	30Amp Double	No	1/2" Flex	N/A	Split
10000	50Amp/240 volt	50 Amp Double	No	3/4" Flex	60 Amp DPDT	Split
20000	50Amp/240 volt	80 Amp Double	No	No Conduit	100Amp DPDT	Split

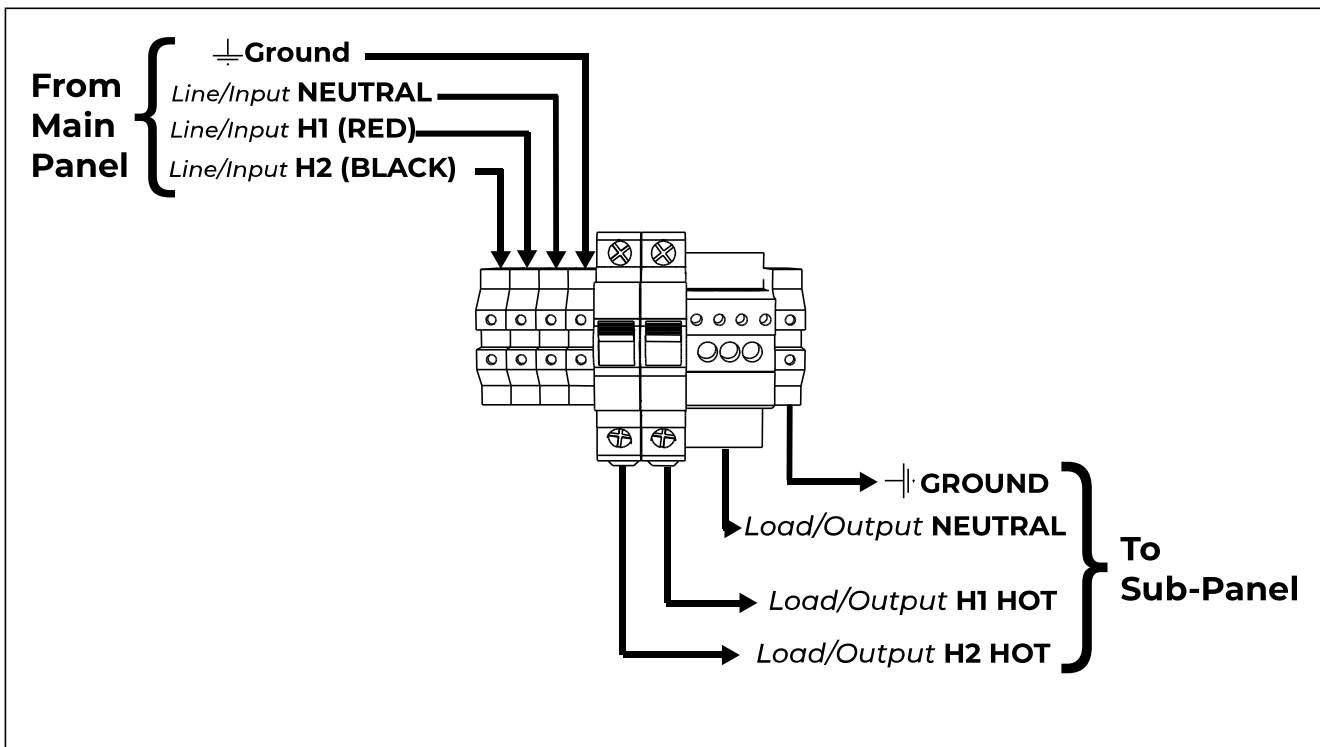
Three-Phase Models:

System Size (watts)	Line and Load Power	Circuit Breaker	Conduit Size	Bypass Switch	Wiring Configuration
6000	20Amp/208 volt	20 Amp Tripple	3/4" Flex	N/A	3 Phase
9000	30Amp/208 volt	30Amp Tripple	3/4" Flex	N/A	3 Phase
15000	50Amp/208 volt	50 Amp Tripple	1" Flex	60 Amp DPDT	3 Phase
21600	50Amp/208 volt	50 Amp Tripple	1" Flex	60 Amp DPDT	3 Phase
30000	100Amp/208 volt	100 Amp Tripple	N/A	100 Amp DPDT	3 Phase
60000	200Amp/208 volt	200 Amp Tripple	N/A	200 Amp DPDT	3 Phase

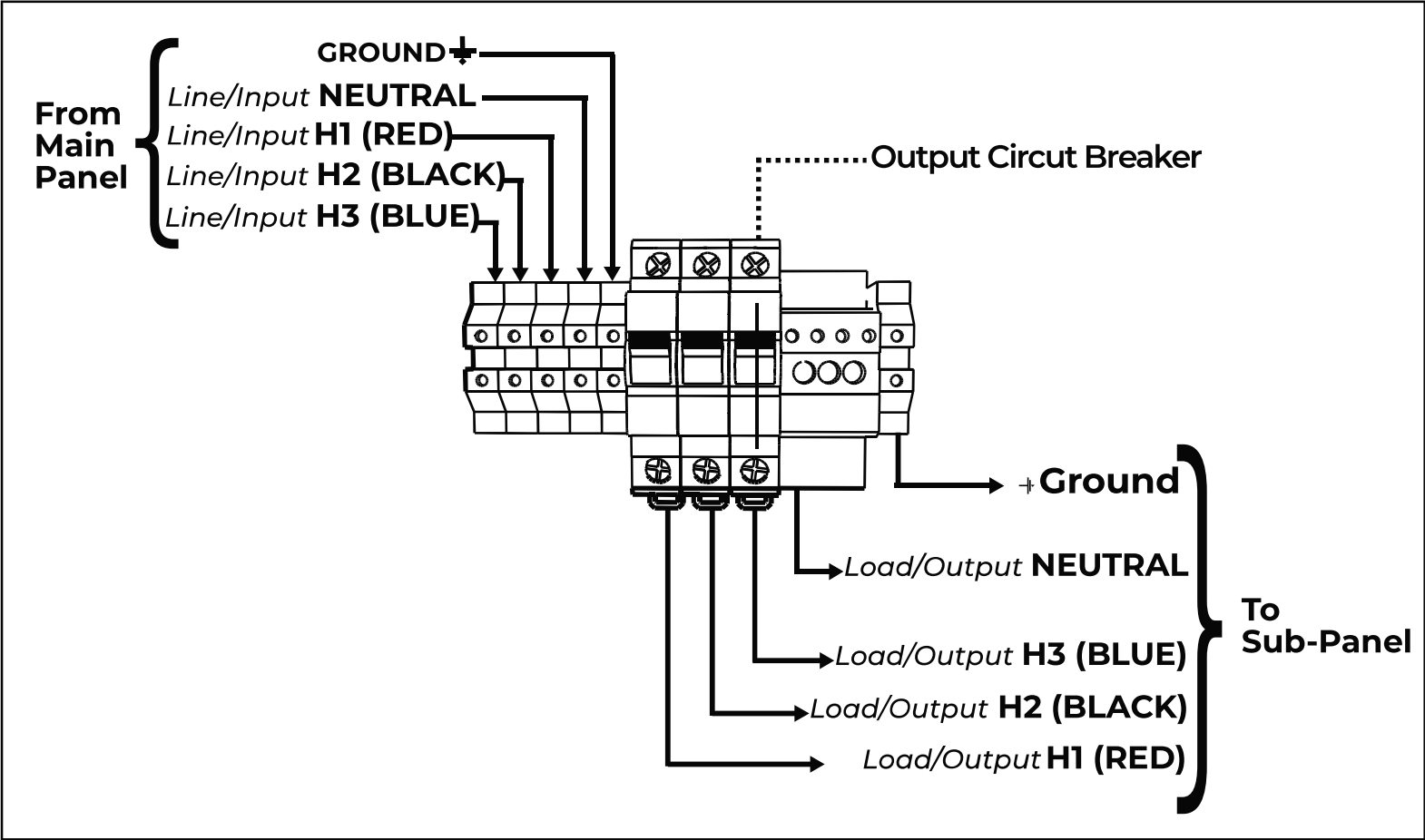
Single-Phase 120V Wiring Configuration



Split-Phase 240V Wiring Configuration

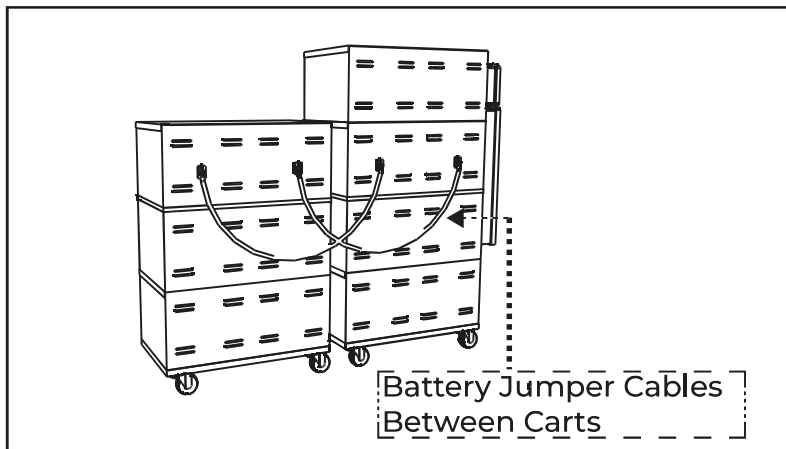


Three-Phase 208V Wiring Configuration



If your system is equipped with an auxiliary battery cart, connect the battery jumper cables as follows:

- BLACK CABLES to BLACK TERMINALS
- RED CABLES to RED TERMINALS



You have now fully Installed the system; you will need to test it. Please refer to the User and Testing Guide and follow the Startup and testing procedures.

Still Have Questions?

For More information Call Our Tech Support Hotline at:

1.800.765.3237

M-F 8:30a-5:00p EST

or visit www.mediproducts.net/resources/technical-data